

NEW DESIGN

DT-T9 Lite

The photo order station powered by SnapLab Pro software



- ▶ WIDE TOUCH SCREEN
- ▶ READY-TO-USE SYSTEM
- ▶ COMPATIBLE WITH ALL TYPES OF PRINTERS
- ▶ CUSTOMIZABLE SOFTWARE
- ▶ INTUITIVE NAVIGATION
- ▶ EASY TO USE

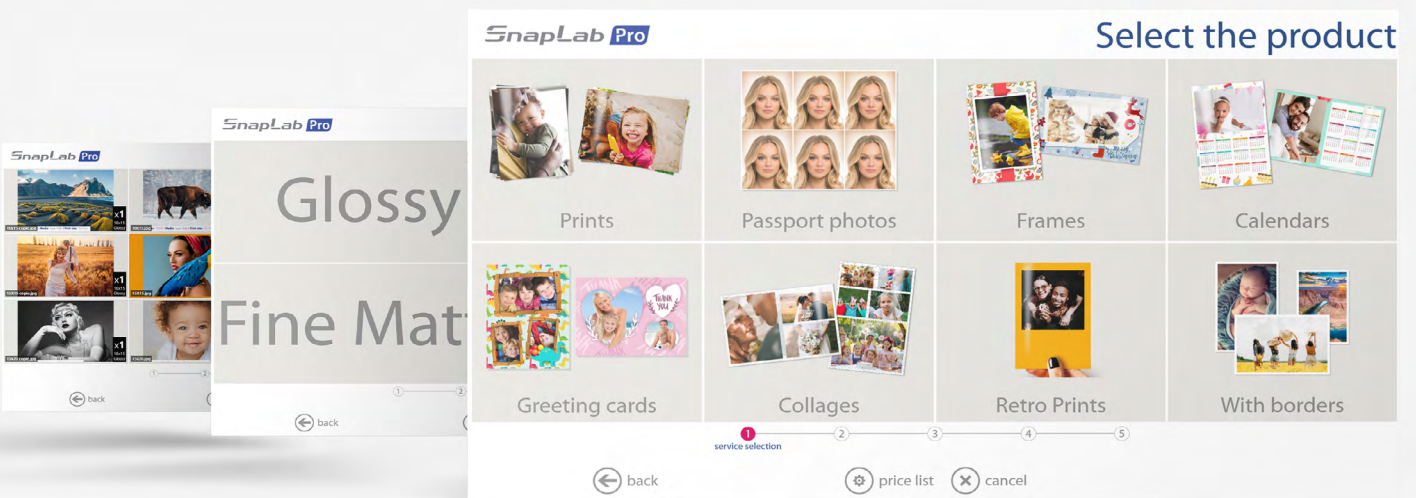
DT-T9 Lite: In-store modularity and printing flexibility

The DT-T9 Lite photo terminal is compatible with the SnapLab Pro Full printing software, a system that is open to all printing solutions.

There are many configuration possibilities for your store, as the DT-T9 Lite can be used on a self-service basis or connected to a DS Lab.

SnapLab Pro: a simple, intuitive interface for your customers

Its intuitive user interface, which provides a fluid, user-friendly experience, enables your customers to select, personalise and print out their photos in just a few stages.



DT-T9 Lite

A wide range of products

Numerous photo formats and products

- ▶ Multi-format photo prints
 - ▶ Panoramic prints
 - ▶ Retro prints
 - ▶ Frames
 - ▶ Collage
 - ▶ Greeting cards
 - ▶ Calendars
 - ▶ Photo albums
 - ▶ Photo cards*
- *Requires a Fargo HDP5000 or DTC1250E card printer.*



Biometric ID photos (option)

- ▶ Analysis, verification and validation of ID photos compliance with the official requirements of each country.
- ▶ Saving ID photos on USB keys



SnapLab Pro full: an optimised software program

For the customer

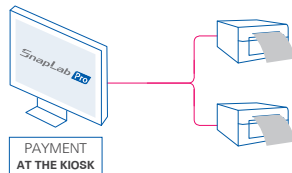
- ▶ Easy to use
- ▶ Intuitive photo editing: choice of frames and filters
- ▶ Wired connection, WiFi and Bluetooth for smartphone: Apple, Android and Windows phone
- ▶ Real-time printing monitoring

For the operator

- ▶ Ready-to-use solution
- ▶ Information about the remaining prints quantity
- ▶ Management of product categories
- ▶ Customizable interface
- ▶ Web statistics

Various types of configuration

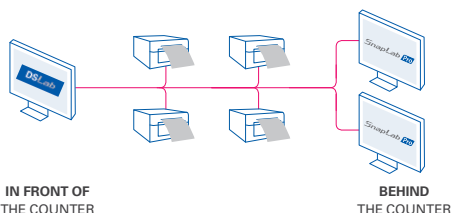
A
Autonomous kiosk with automatic printing



B
Payment at the cash desk, with bar code reader



C
Behind-the-counter printing managed by the operator

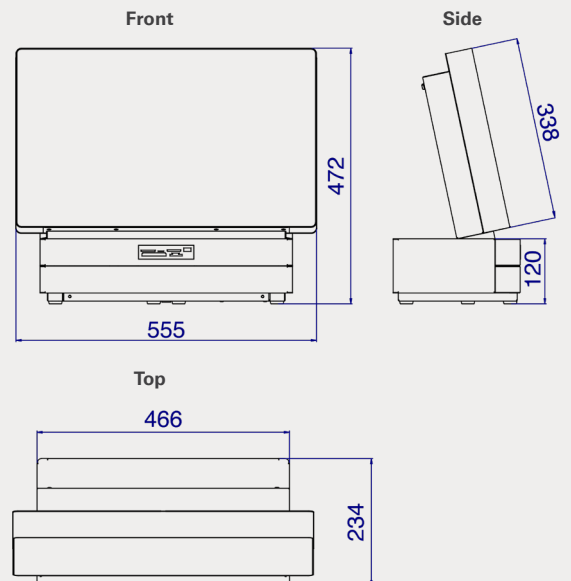


Specifications

SnapLab Pro full is integrated in the DT-T9 Lite terminal.

Product code	20297910
Weight	20 kg
Screen	23" PCAPTouh screen
System performance	CPU: Intel® core i3-10100 Memory: 8 GB, DDR4 Storage: SSD M2 250 GB OS: Windows 10/11 IOT 2021 LTSC, 64 bit
Connectivity	Smartphone connection: Micro USB, USB type C, Lightning Wireless connection: Direct WiFi or Bluetooth (dongles included)
Media reader	SD, Micro SD, MS, MS micro, xD, CF, USB stick
USB ports	Front (under the metal plate): USB 2.0 x 7 ports, 3 of them dedicated to operation of the terminal Rear: USB 2.0 x 5 ports, 1 x LAN
Dimensions	555 (W) x 234 (D) x 472 (H) mm
Electricity consumption	230 V, 50 HZ, 400 W
Compatible printers	All DNP (and non-DNP*) printers <i>*Requires the printer driver for Windows.</i>
Options	1D/2D barcode reader, receipt printer

Technical drawing



DNP PHOTO IMAGING EUROPE
22, Avenue des Nations
95948 ROISSY C.D.G. Cedex
FRANCE
Tel: +33 (0) 149 386550
www.dnpphoto.eu